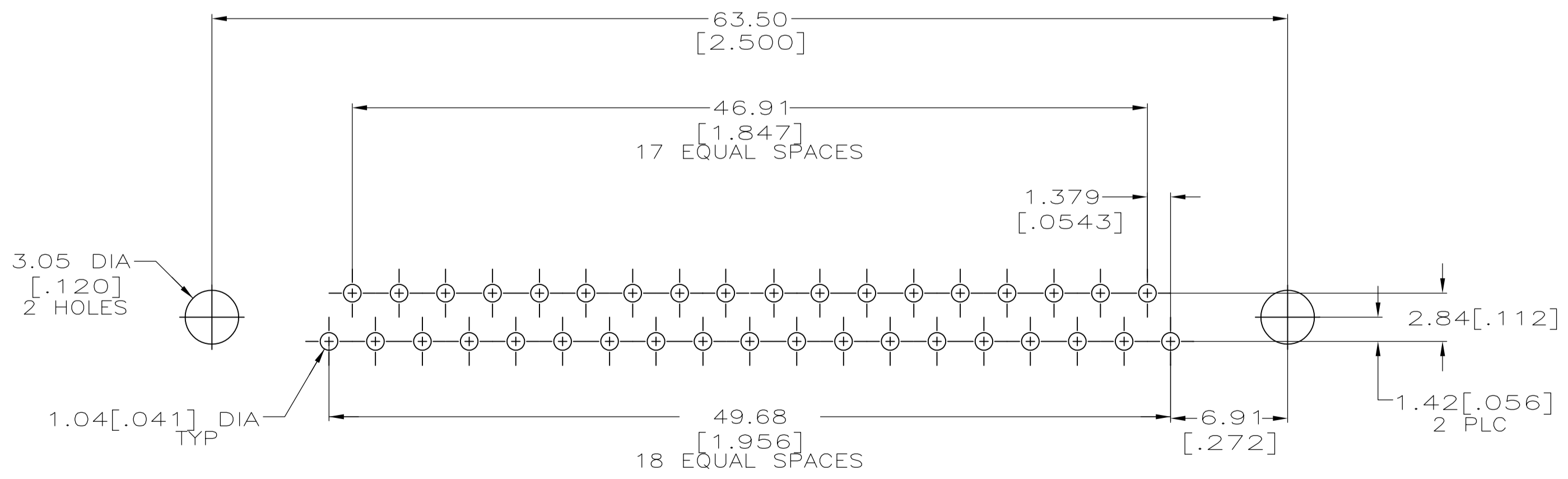
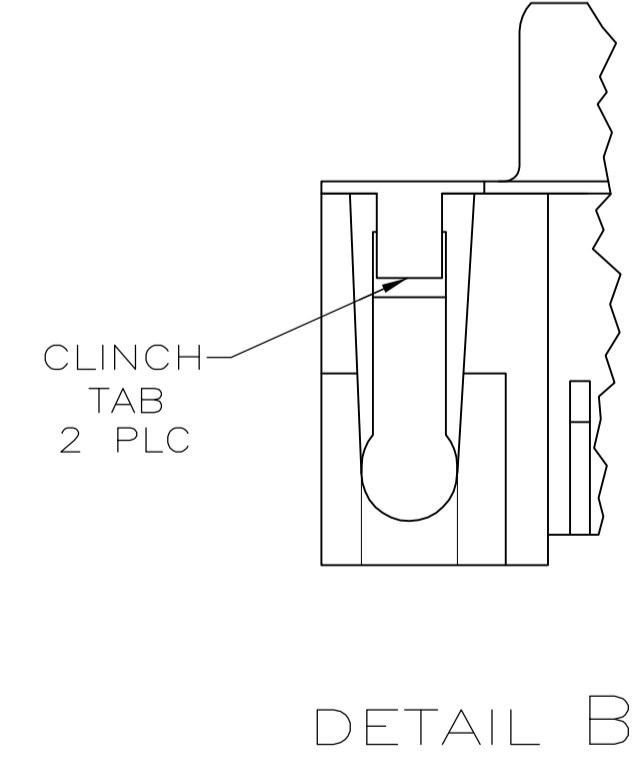
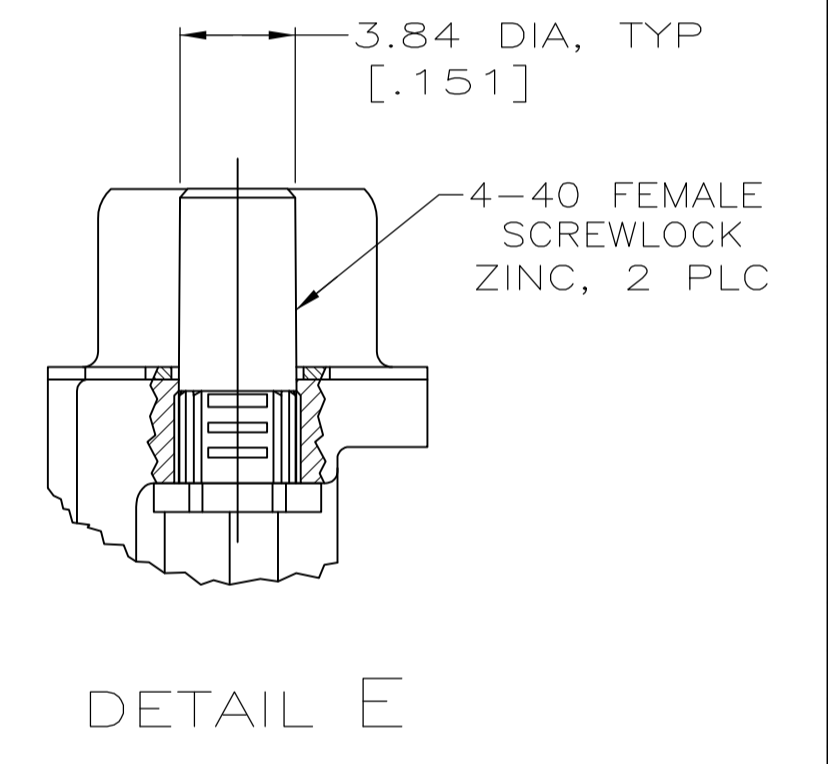
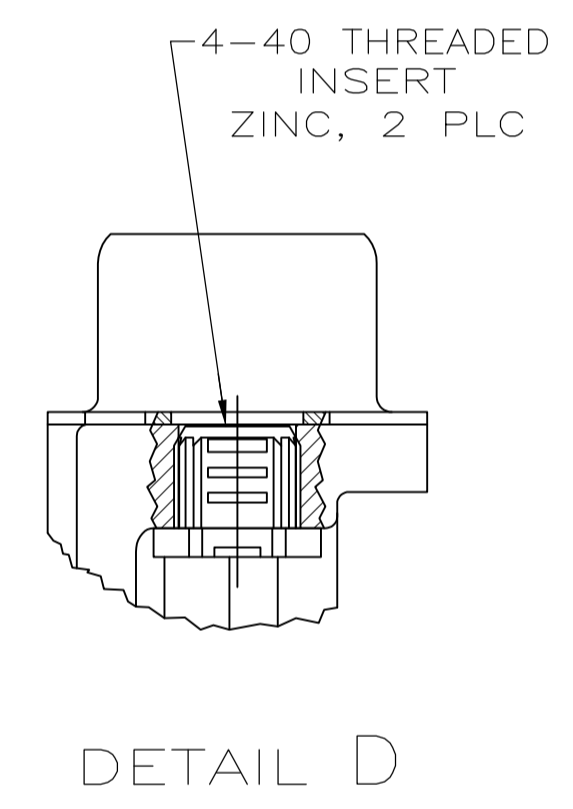
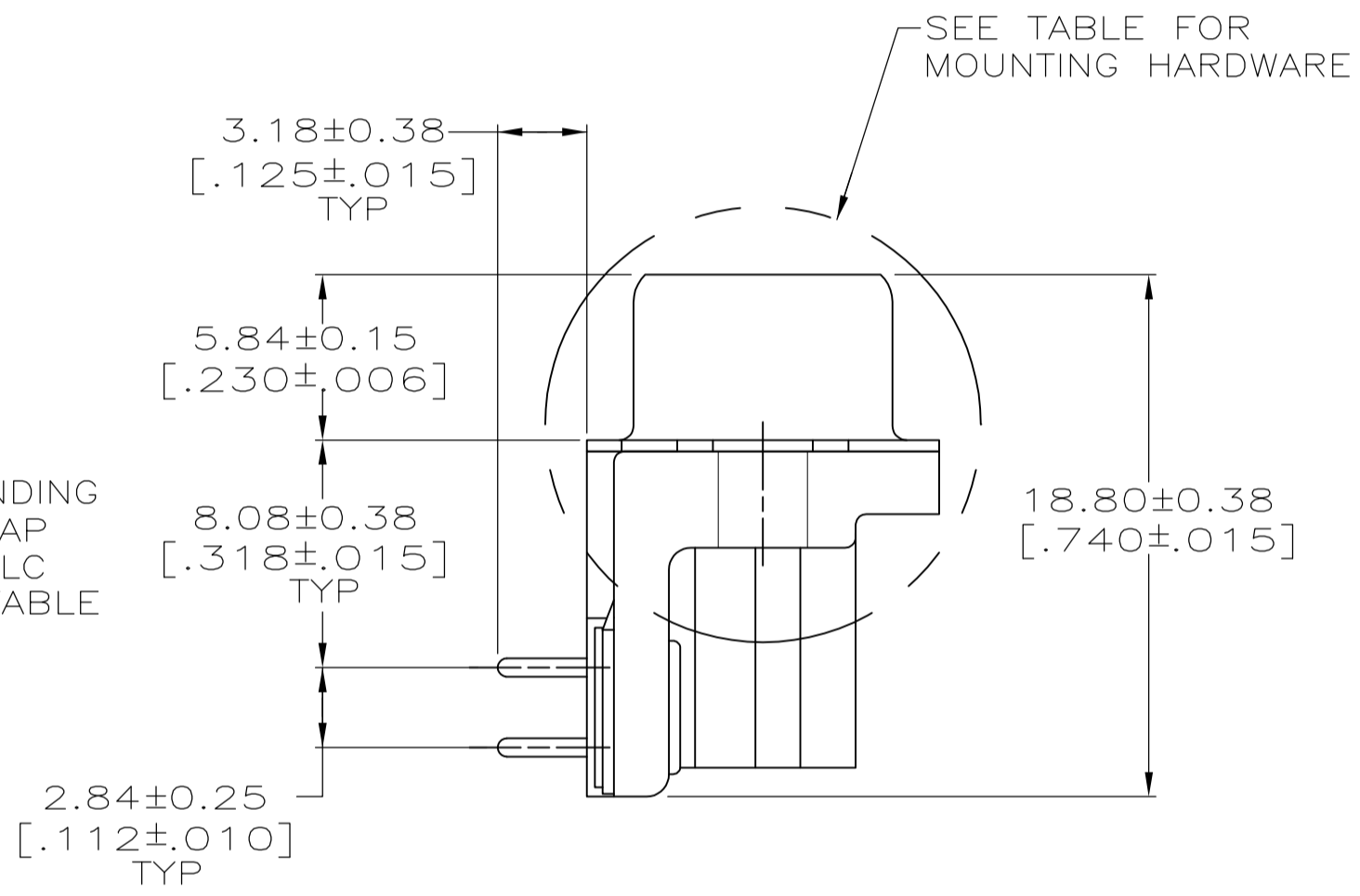
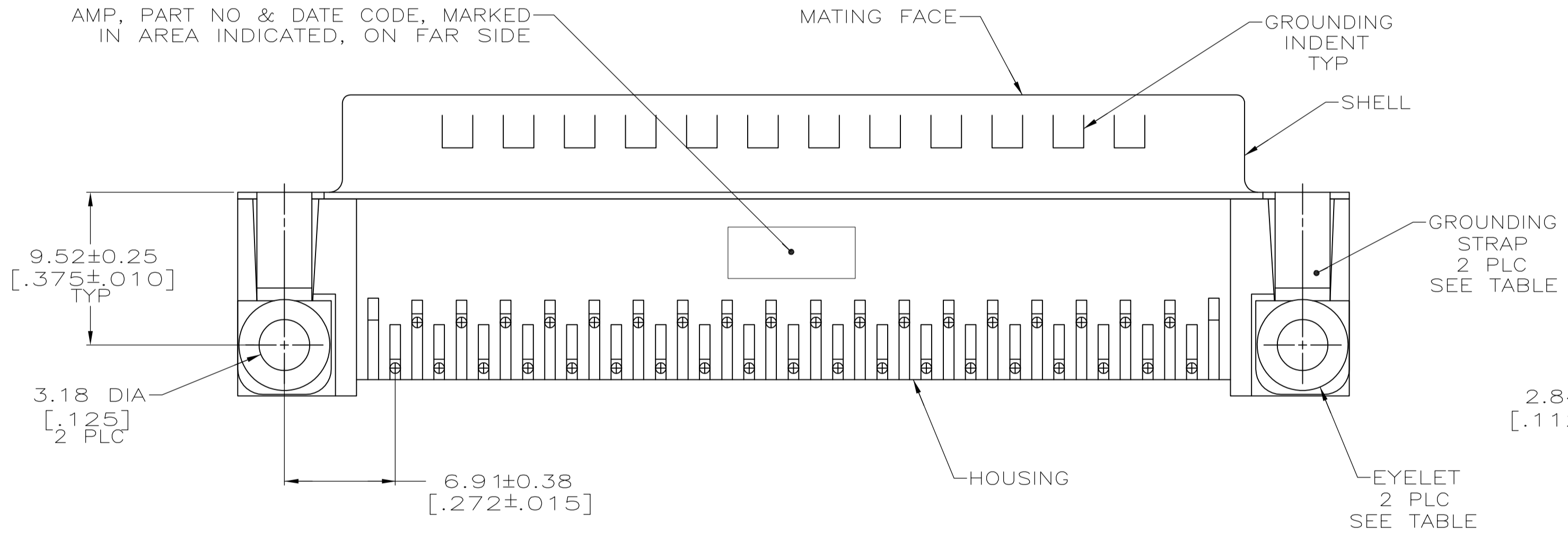
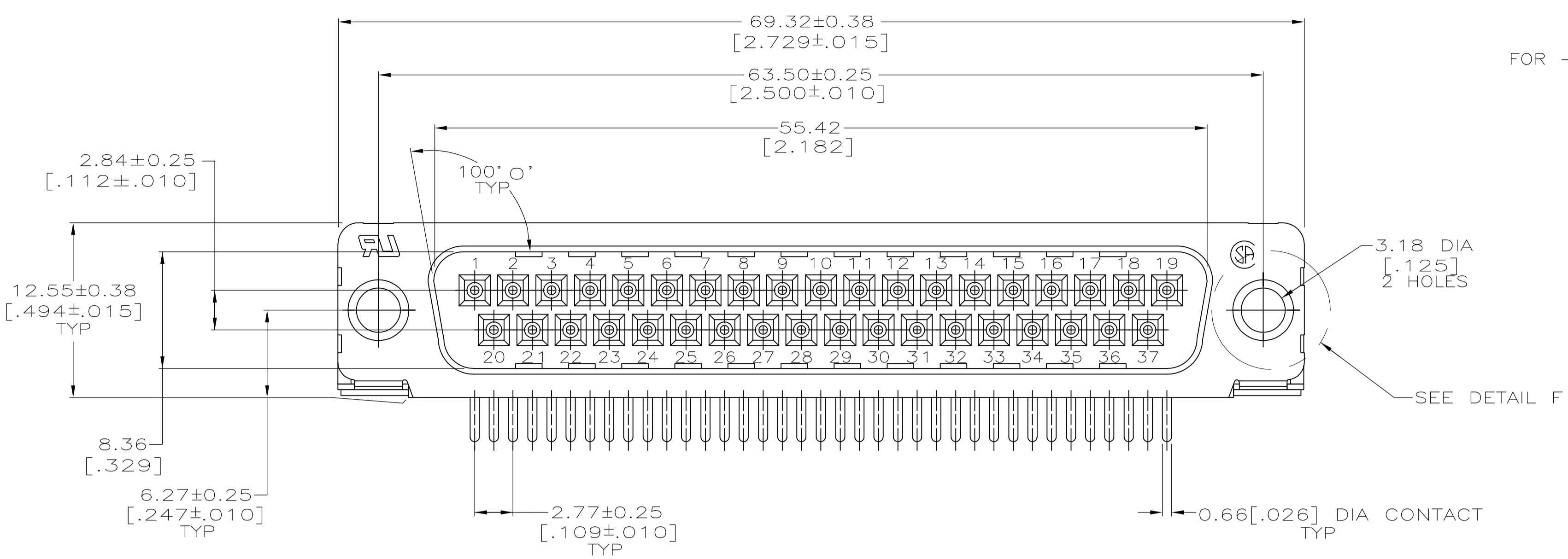


FOR -5, -6, -11 AND -12 ONLY

DETAIL F  
2 PLC

- ① HOUSING: BLACK NYLON OR POLYESTER, FLAME RETARDANT, UL 94V-0 RATED, GLASS FILLED. CONTACTS: BRASS. SHELLS: CARBON STEEL. EYELETS: BRASS.
- ② SHELLS: 2.54µm[.000100] MIN TIN OVER 1.27µm[.000050] MIN COPPER. EYELETS: 5.08µm[.000200] MIN TIN OVER COPPER FLASH. CONTACTS: SEE TABLE. SCREWLOCK AND INSERT: CLEAR CHROMATE.
- ③ GOLD FLASH ON THE MATING SURFACES, 2.54µm[.000100] MIN TIN OR TIN-LEAD PLATE ON THE SOLDER END, 1.27µm[.000050] MIN NICKEL UNDERPLATE ON THE ENTIRE CONTACT.
- ④ 0.76µm[.000030] MIN GOLD PLATE ON THE MATING SURFACES, 2.54µm[.000100] MIN TIN OR TIN-LEAD PLATE ON THE SOLDER END, 1.27µm[.000050] MIN NICKEL UNDERPLATE ON THE ENTIRE CONTACT  
-OR-  
GOLD FLASH OVER PALLADIUM-NICKEL PLATE, 0.76µm[.000030] MIN TOTAL ON THE MATING SURFACES, 2.54µm[.000100] MIN TIN OR TIN-LEAD PLATE ON THE SOLDER END, 1.27µm[.000050] MIN NICKEL UNDERPLATE ON THE ENTIRE CONTACT.
- ⑤ OBSOLETE PART NUMBER.
- ⑥ SUPERSEDED BY 747252-4.
- ⑦ SUPERSEDED BY 747252-6.
- ⑧ SUPERSEDED BY 747843-6.



RECOMMENDED P.C. BOARD MOUNTING DIMENSIONS

NO SEE DETAIL B	NO	SEE DETAIL E	④	⑧	1-747252-2		
		SEE DETAIL D	④	⑧	1-747252-1		
YES	YES	-	④	⑧	1-747252-0		
		-	④	⑧	747252-9		
		SEE DETAIL E	④	⑧	747252-8		
		SEE DETAIL D	④	⑧	747252-7		
GROUNDING STRAPS	EYELETS	MOUNTING HARDWARE	CONTACT FINISH	PART NUMBER	④	⑧	747252-6
					④	⑧	747252-5
					④	⑧	747252-4
					④	⑧	747252-3
			④	⑧	747252-2		
			④	⑧	747252-1		

THIS DRAWING IS A CONTROLLED DOCUMENT. DIMENSIONING AND TOLERANCING PER ASME Y14.5M-2009.

DIMENSIONS:	TOLERANCES UNLESS OTHERWISE SPECIFIED:	APPROVED:	DATE:
mm [INCHES]	0 PLC ± -	W.G. LENKER	07-NOV-89
	1 PLC ± -	R. STONE	05-FEB-90
	2 PLC ± -	M.D. GALLOWAY	06-FEB-90
	3 PLC ± 0.13[.005]		
	4 PLC ± ± 2° 0'		
MATERIAL	FINISH	APPLICATION SPEC	NAME
①	②	108-40025	PLUG ASSEMBLY, SIZE 4, 37 POSITION, RIGHT ANGLE, FRONT METAL SHELL, .318 SERIES, AMPLIMITE® HD-20
		114-40010	SIZE
		WEIGHT	CAGE CODE
		A1	DRAWING NO
		00779	④=747252
		CUSTOMER DRAWING	RESTRICTED TO
		SCALE 4:1	SHEET 1 OF 1
			REV U